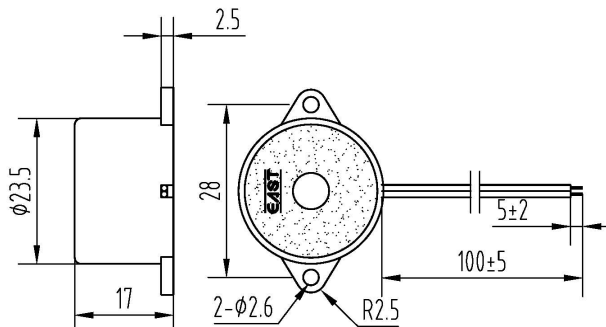
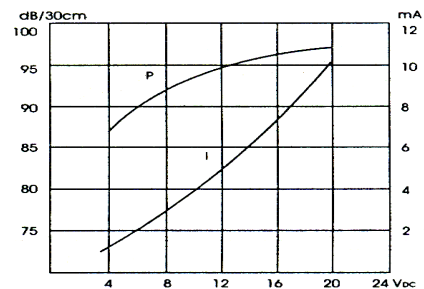


**Piezo Buzzer****SL11-12HL****DIMENSIONS:(Unit: mm)****FEATURES:**

- High Output
- High Efficiency
- Long Life

APPLICATIONS:

- Automatic Control Equipment
- Communication Equipment
- Electronic Instruments

CHARACTERISTICS:**ELECTRICAL SPECIFICATIONS:**

Min. Sound Pressure Level at

12V_{DC}/30cm.....91dBRated Voltage.....12V_{DC}Operating Voltage.....3~20V_{DC}Max. Consumption.....10mA/12V_{DC}

Oscillating Frequency.....3.7±0.5kHz

Operating Temperature.....-20~+70°C

Case Material/Color.....ABS/Black

Weight.....8g

PACKING INFORMATION:

Packing: 2000 pcs per export carton

Carton Size: 47x30.5x25cm

G. Weight: 17 kgs N. Weight: 15.5 kgs

Address: Multitrack GmbH, Pfaffenrain 22, 35606 Solms, Germany

Tel: +49-6442-9220950, Fax: +49-3212-1258768



REVISION HISTORY				
REV	DESCRIPTION	ISSUED BY/DATE	CHECKED	APPROVED
2	RELEASE	WEN GUANGJUN May 14, 2008	ZHANGCHUNLEI	WANGJIANCHENG
3	Add "EAST" marking	WEN GUANGJUN July 8, 2009	ZHANGCHUNLEI	WANGJIANCHENG