



Piezo Buzzer

SL11-12(03.06.09)CP

FEATURES:

Rev.3

- High Output
- High Efficiency
- Long Life

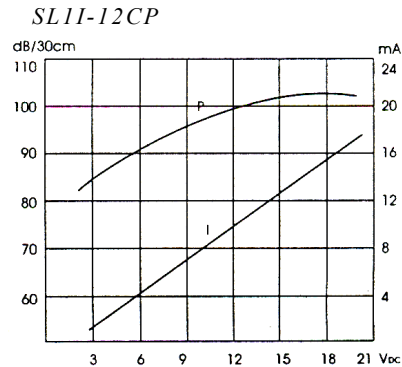
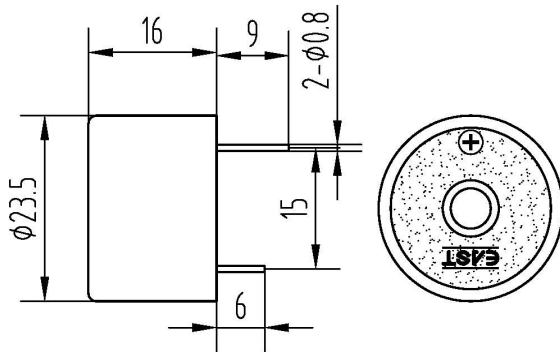
APPLICATIONS:

- Automatic Control Equipment
- Communication Equipment
- Electronic Instruments

CHARACTERISTICS:



DIMENSIONS:(Unit: mm)



ELECTRICAL SPECIFICATIONS:

Model No.	SL11-03CP	SL11-06CP	SL11-09CP	SL11-12CP
Min. Sound Pressure Level (dB)	78/3V _{DC} /30cm	83/6V _{DC} /30cm	85/9V _{DC} /30cm	87/12V _{DC} /30cm
Rated Voltage (V _{DC})	3	6	9	12
Operating Voltage (V _{DC})	1~5	4.5~9	6~12	9~15
Max. Consumption (mA)	25/3V _{DC}	15/6V _{DC}	15/9V _{DC}	18/12V _{DC}
Oscillating Frequency (kHz)	3.4±0.5			
Operating Temperature (°C)	-20~+70			
Case Material/Color	ABS/Black			
Weight (g)	6			

PACKING INFORMATION:

Packing: 1600 pcs per export carton

Carton Size: 47×30.5×33cm

G. Weight: 11.3 kgs N. Weight: 9.5 kgs

Address: Multitrack GmbH, Pfaffenrain 22, 35606 Solms, Germany

Tel: +49-6442-9220950, Fax: +49-3212-1258768



REVISION HISTORY				
REV	DESCRIPTION	ISSUED BY/DATE	CHECKED	APPROVED
2	RELEASE	WEN GUANGJUN May 14, 2008	ZHANGCHUNLEI	WANGJIANCHENG
3	Add "EAST" marking	WEN GUANGJUN July 9, 2009	ZHANGCHUNLEI	WANGJIANCHENG