



Piezo Buzzer

RoHS
Compliant

FM-48M-900

Rev.2



FEATURES:

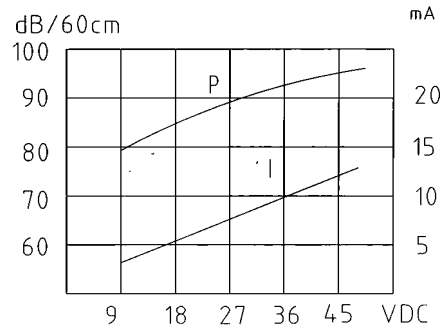
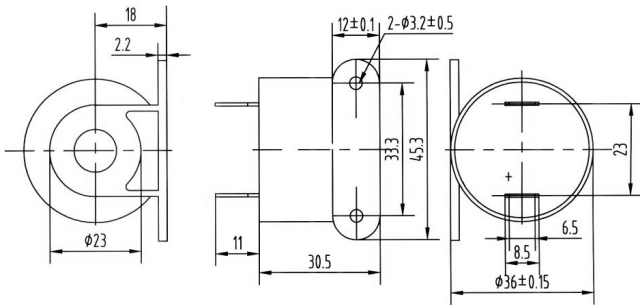
- High Output
- High Reliability
- Wide Voltage

APPLICATIONS:

- Automatic Control Equipment
- Communication Equipment
- Electronic Instruments

DIMENSIONS: (Unit: mm)

CHARACTERISTICS:



ELECTRICAL SPECIFICATIONS :

Min. Sound Pressure Level at

- 9V_{DC}/60cm.....75dB(A)
- 48V_{DC}/60cm.....90dB(A)

- Max. Consumption3mA/9V_{DC}
- Max. Consumption15mA/48V_{DC}
- Oscillating Frequency.....2.8±0.5kHz
- Operating Temperature.....-20~+70°C
- Storage Temperature.....-40~+80°C
- Case Material/Colour.....ABS/Black
- Weight.....19g

PACKING INFORMATION:

Packing: 280 pcs per export carton
 Carton Size: 47×30.5×21 cm
 G. Weight: 6.8 kgs N. Weight:5.3 kgs
 Address: Multitrack GmbH, Pfaffenrain 22, 35606 Solms, Germany
 Tel: +49-6442-9220950, Fax: +49-3212-1258768

