



### Piezo Buzzer

## FM-48D-905DA

Rev.1



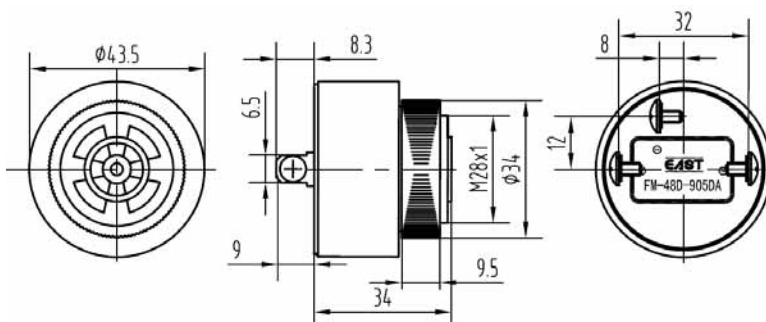
#### FEATURES:

- High Output
- High Reliability
- Wide Voltage

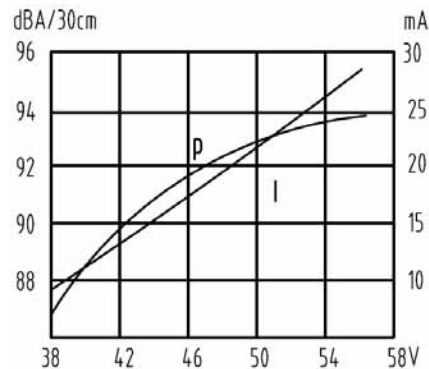
#### APPLICATIONS:

- Automatic Control Equipment
- Communication Equipment
- Electronic Instruments

#### DIMENSIONS: (Unit: mm)



#### CHARACTERISTICS:



#### ELECTRICAL SPECIFICATIONS:

Min. Sound Pressure Level at

48V <sub>DC/AC</sub> /30cm.....	80dB (A)
Rated Voltage.....	48V <sub>DC/AC</sub>
Operating Voltage.....	38~58V <sub>DC/AC</sub>
Max. Consumption.....	30mA/48V <sub>DC/AC</sub>
Oscillating Frequency.....	2.9±0.5kHz
Tone Nature.....	Continuous+ Fast Pulse (5.0Hz±20%)
Operating Temperature.....	-20~+70°C
Case Material/Color.....	ABS/Black
Weight.....	35g

#### PACKING INFORMATION:

Packing: 200 pcs per export carton

Carton Size: 47×30.5×31 cm

G. Weight: 8.5 kgs N. Weight: 7.0 kgs

Address: Multitrack GmbH, Pfaffenrain 22, 35606 Solms, Germany

Tel: +49-6442-9220950, Fax: +49-3212-1258768

