

**External-driven Piezo Transducer**

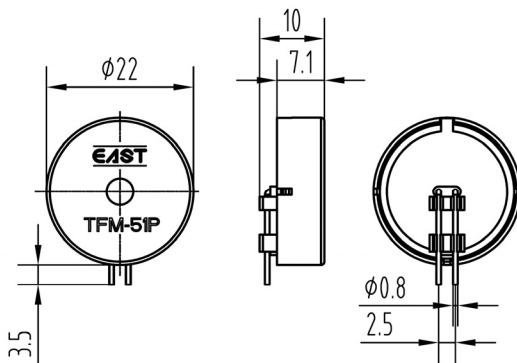
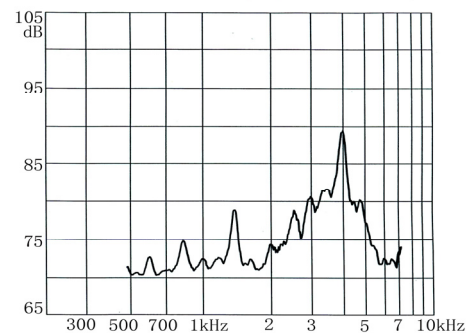
Rev.2

TFM-51P-1**FEATURES:**

- Low Frequency
- Low Current Drain
- Light and Compact

APPLICATIONS:

- Automatic Control Equipment
- Communication Equipment
- Electronic Instruments

DIMENSIONS: (Unit: mm)**CHARACTERISTICS:****ELECTRICAL SPECIFICATIONS :**

Min. Sound Pressure Level at

4.0kHz/3V_{p-p} Square Wave/10cm.....75dB(A)

Capacitance at 1000Hz.....24nF±30%

Allowable Input Voltage.....30V_{p-p}

Max. Consumption at

4.0kHz/3V_{p-p} Square Wave.....5mA

Resonant Frequency.....4.0±0.5kHz

Operating Temperature.....-20~+70°C

Storage Temperature.....-30~+85°C

Case Material/Color.....PA66/Black

Weight.....2.4g

PACKING INFORMATION:

Packing: 2500 pcs per export carton

Carton Size: 47x30.5x36 cm

G. Weight: 7.5 kgs N. Weight: 6.0 kgs

Address: Multitrack GmbH, Pfaffenrain 22, 35606 Solms, Germany

Tel: +49-6442-9220950, Fax: +49-3212-1258768

