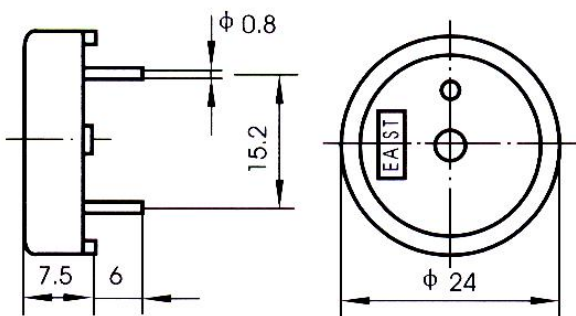




External-driven Piezo Transducer

TFM-29

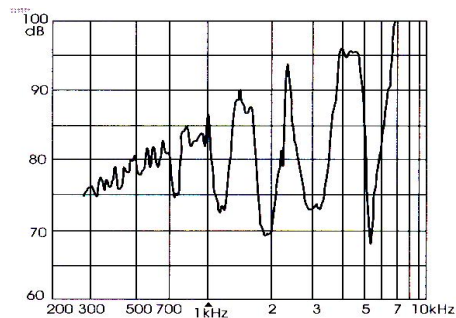
Rev.2

**DIMENSIONS:** (Unit: mm)**FEATURES:**

- Clear Sound
- Low Current Drain
- Light and Compact

APPLICATIONS:

- Automatic Control Equipment
- Communication Equipment
- Electronic Instruments

CHARACTERISTICS:**ELECTRICAL SPECIFICATIONS:**

Min. Sound Pressure Level at

4.0kHz/10V_{p-p} Square Wave/10cm.....90dB(A)

Capacitance at 120Hz.....17nF±30%

Allowable Input Voltage.....40V_{P-P}

Max. Consumption

at 4.0kHz/10V_{p-p} Square Wave..... 4mA

Resonant Frequency..... 4.0±0.5kHz

Operating Temperature..... -20~+70°C

Case Material/Color.....PC/Black

Weight..... 3.0g

PACKING INFORMATION:

Packing: 1600 pcs per export carton

Carton Size: 47×30.5×19 cm

G. Weight: 6.3 kgs N. Weight: 4.8 kgs

Address: Multitrack GmbH, Pfaffenrain 22, 35606 Solms, Germany

Tel: +49-6442-9220950, Fax: +49-3212-1258768

